

Professional Weather Station

Easy to use, configurable multi-parameter weather stations

MetConnect allows users to build the system they need.

MetConnect contains a number of integrated sensors. Additional, user selected sensors can be added to build the system needed for a particular application.

MetConnect data is easy to use and reliable. The data from all the sensors is combined and output as a single string and is available on a range of communication protocols. Status codes can be included in the data to confirm the reliability of measurements.

MetConnect is designed to be simple to configure, install, and maintain. MetConnect is supported by easy-to-use configuration and data viewing software. In addition Gill offer a range of accessories and spares and experienced customer technical support.



MetConnect THP combining **temperature, humidity** and **pressure** and measurements from user selected sensors

Typical Applications

- Ports, marinas, data buoys, and commercial shipping.
- Meteorological measurement requiring separated sensors.
- Solar park management including wind, rain and solar intensity.
- Agricultural research combining rain, moisture and sunlight.

Key Features

- High quality integrated sensors including temperature, humidity and pressure.
- Inputs for wind, rainfall, PRT (temp) and two analogue sensors.
- Time synchronized data available via multiple output protocols.
- Compact, robust design using 316 stainless steel and IP66/67 rating.
- Customer support available including set-up and display software and

Benefits

- Easy to configure for a wide range of applications with high quality sensors and the ability to connect additional instruments.
- Easy installation due to the compact, integrated physical design.
- Easy set-up with the support of downloadable set-up software.
- Easy integration with receiving controllers and loggers via a range of output protocols, and single combined data output.
- High levels of environmental protection and easy maintenance provided by stainless steel construction and field replaceable sensors.



MetConnect connectors allow expansion and provide high IP rating

Professional Weather Station

Easy to use, configurable multi-parameter weather stations

| AIR TEMPERATURE | |
|----------------------|------------------------|
| Range | -35°C TO +70°C |
| Accuracy | 0.2°C (-35°C to +70°C) |
| Resolution | 0.1°C |
| Units of measurement | °C, °F |

| RELATIVE HUMIDITY | |
|----------------------|--|
| Range | 0-100%RH |
| Accuracy | 1.5% RH @ 25°C (0-80%RH) Typical 2% (-35°C to 70°C, 0-100%RH) |
| Resolution | 1% RH |
| Units of measurement | % RH |

| BAROMETRIC PRESSURE | |
|----------------------|-------------------------|
| Range | 300-1100 hPa |
| Accuracy | +/- 0.5 hPa @ 0 to 50°C |
| Resolution | 0.1 hPa |
| Units of measurement | hPa, mbar, mmHg, inHg |

| ADDITIONAL INPUTS | |
|---|--|
| Wind | For Gill Instruments anemometer (contact Gill Instruments for details) |
| Contact closure | For tipping bucket rain gauge |
| Pt100 Temp probe | 4 wire Pt100 conforms to IEC 60751 |
| Analogue 1 | 0-5V or 4-20mA loop or self powered |
| Analogue 2 | 0-5V or 4-20mA loop or self powered |
| Note: 5V power is available on additional sensor input connectors | |

| OUTPUTS | |
|---------------------|--|
| Digital comms modes | RS232 RS422 RS485 (2 wire pt to pt) MODBUS SDI-12 |
| Protocols | ASCII, SDI-12 v1.3 MODBUS (RTU and ASCII) NMEA0183 |
| Data output rates | 1 measurement per second 1 measurement per 2 seconds 1 measurement per 4 seconds polled |

| POWER SUPPLY | |
|------------------|---------------|
| Input voltage | 5-30V DC |
| Current @ 12V DC | <70mA @ 12Vdc |

| CONNECTIVITY | |
|--------------|--|
| Connectors | M12 8-way connectors on all inputs and outputs |

| MECHANICAL | |
|-----------------------|----------------------------------|
| Bracket and Hub Box | Stainless steel 316 construction |
| Installation Fittings | Fit to 30mm to 58mm pole or mast |
| Weight | 3.0 kg |

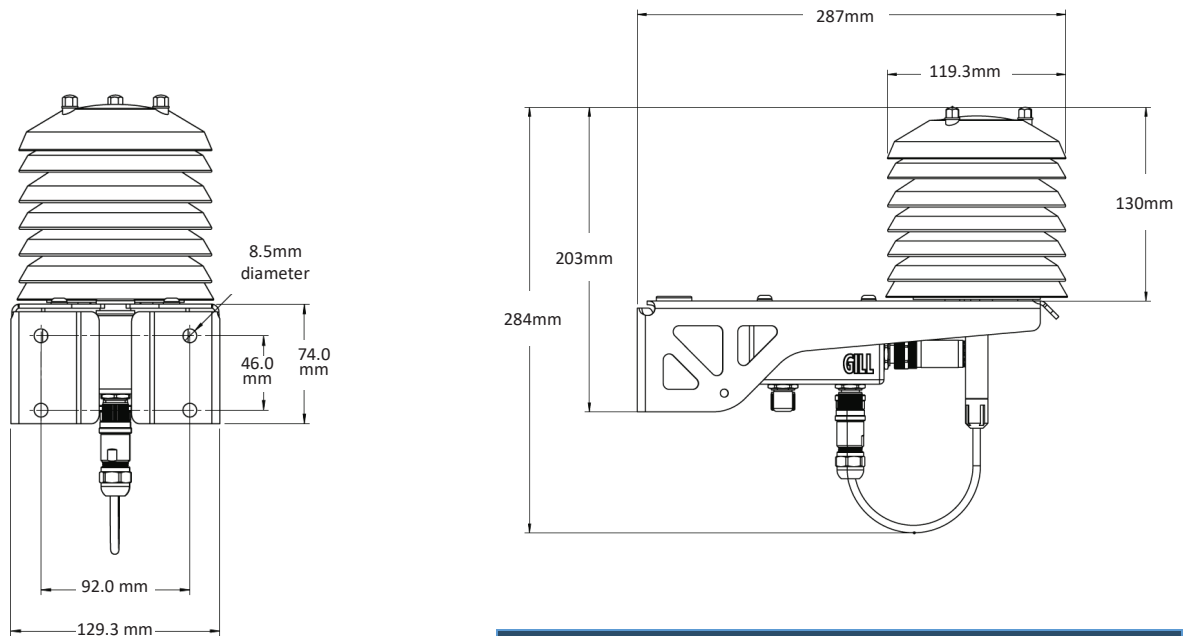
| ENVIRONMENTAL & REGULATORY | |
|----------------------------|---|
| Protection class | Hub Box and Pressure Sensor: IP66 & IP67 Temperature & Humidity Sensor: IP66 |
| EMC | EN61326:2013 |
| Operating temp. | -35°C to +70°C |
| Storage temp | -40°C to +70°C |
| Regional markings | CE, UKCA, FCC Part 15 |
| RoHS compliant | Yes |
| Origin | UK (United Kingdom) |

| WARRANTY | |
|----------|-----------|
| Warranty | 12 months |

| SOFTWARE | |
|----------|---|
| MetSet | Downloadable, free of charge software to set-up MetConnect products |
| MetView | Downloadable, free of charge software to display and log the measurement data produced by MetConnect products |

Professional Weather Station

Easy to use, configurable multi-parameter weather stations



| METCONNECT PART NUMBERS & RANGE | |
|---|-------------|
| MetConnect THP (Temperature, Humidity & Pressure) | 1733-PK-110 |
| MetConnect One with Integrated Anemometer | 1733-PK-120 |

| RECOMMENDED INITIAL PURCHASE BUNDLE | |
|---|--|
| MetConnect THP | 1733-PK-110 |
| Convertor, M12 to USB for configuring MetConnect | 1733-PK-030 |
| Cable, power & communications cable, 10m with fitted M12 connector at MetConnect end | 1733-PK-013 |
| MetConnect User Manual* MetSet Software* to configure MetConnect MetView Software*, to view reported parameters | * download from Gill Instruments website |

| ACCESSORIES | |
|---|--|
| Connector, M12, 8 way, field wireable | 1733-PK-002 |
| Cable, 4 pair for power & communications cable, supplied per metre | 1733-PK-010 |
| Cable, power & communications cable, 2m with fitted M12 connector at MetConnect end | 1733-PK-011 |
| Cable, power & communications cable, 10m with fitted M12 connector at MetConnect end | 1733-PK-013 |
| Cable, power & communications cable, 20m with fitted M12 connector at MetConnect end | 1733-PK-014 |
| Bracket mounting kit, replacement for re-mounting MetConnect | 1733-PK-022 |
| Convertor, M12 to USB for configuring MetConnect | 1733-PK-030 |
| Sensor, replacement pressure sensor | 1733-PK-040 |
| Sensor, replacement temperature & humidity sensor | 1733-PK-041 |
| MetConnect User Manual* MetSet Software* to configure MetConnect MetView Software*, to view reported parameters | * download from Gill Instruments website |

For more information about the MetConnect range please contact Gill Instruments.

Designed and manufactured by Gill Instruments Limited in the U.K.